

Data Sheet - CTK - Cabinet Turntable Kit

CTK - Cabinet Turntable Kit

A rotating display is an ideal way to catch the eye and draw the attention of passers-by, and a secure display cabinet incorporating attractive shelving and smooth, controlled movement by Movetech UK will greatly enhance jewellery, fine porcelain and fragrances as they are presented to the public. In fact they are popular the world over with shop fitters, designers, department stores, supermarkets and independents.

Movetech UK powered rotation is an ideal display enhancement tool, and the CTK, unlike standard display turntable drives the shelf systems and, has been specially developed to make it easy to remove for maintenance or repair while leaving the display intact.

Used with your existing shelf system, or with one we can supply, this special turntable drive can be discreetly mounted above the cabinet. The motor engages with the rotating shelf in such a way that, in the unlikely event you experience a problem with the turntable drive, you can remove it without specialist tools or disturbing the display.



CTK - Cabinet Turntable Kit



CTK - Cabinet Turntable Kit



CTK - Cabinet Turntable Kit



CTK - Cabinet Turntable Kit

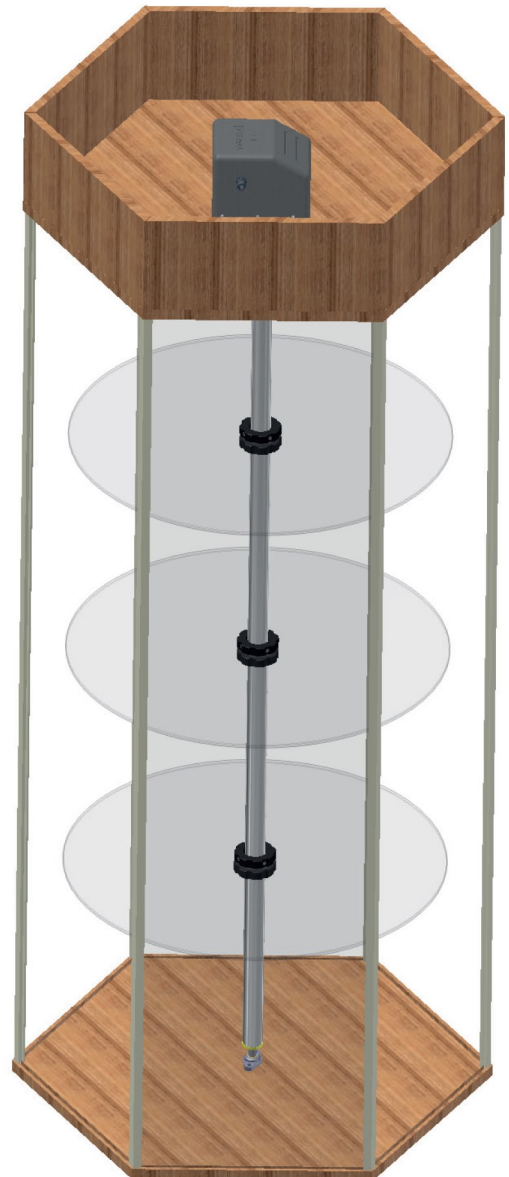
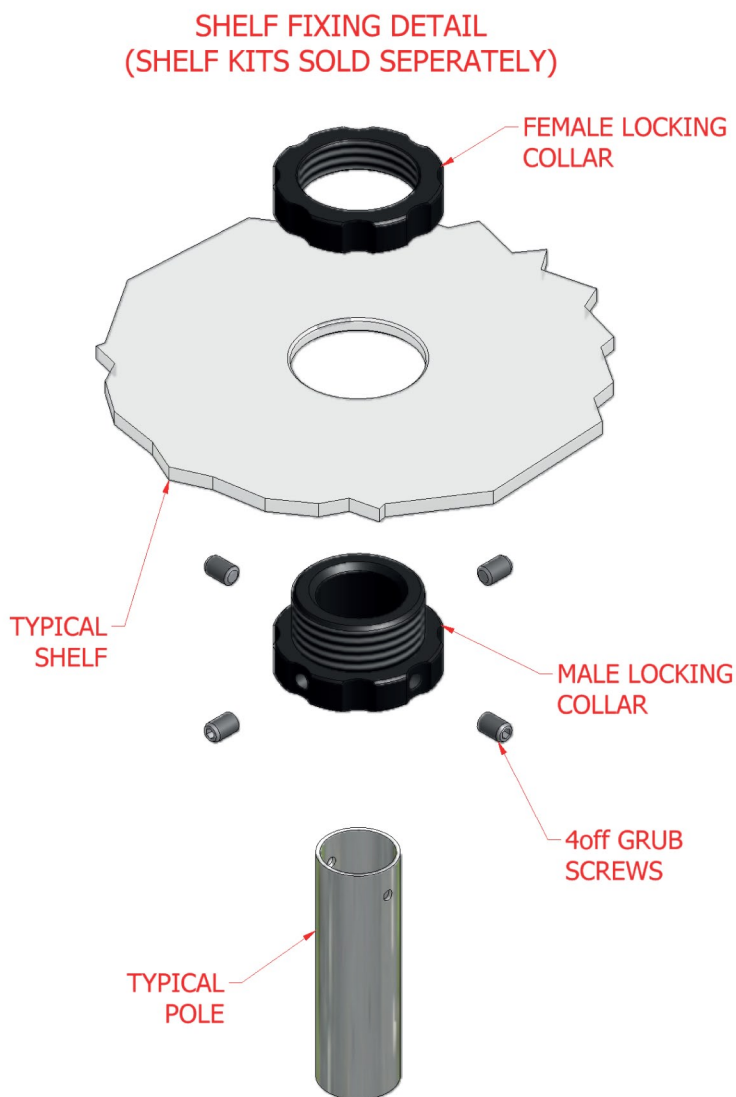
The CTK, therefore, offers all the benefits of movement - to attract attention to high value goods and make efficient use of display space - especially those corner areas.

Movetech UK's CTK is a top mounted unit, and each kit comes complete with drive assembly, bearing and pivot. Glass shelves, mounting collars and poles can also be supplied.

Installation is straightforward, and with the design of the Movetech UK drive allowing for easy removal without disturbing the display, the result is a smooth, quietly moving display that will attract customers and encourage them to buy.

CTK - Cabinet Turntable Kit - Top Mounted

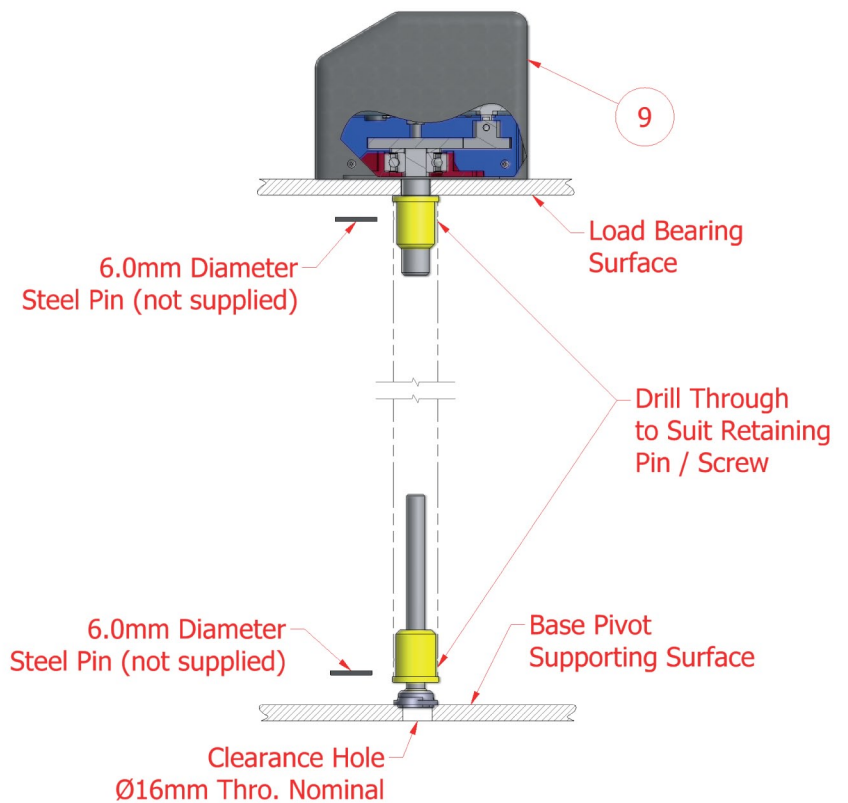
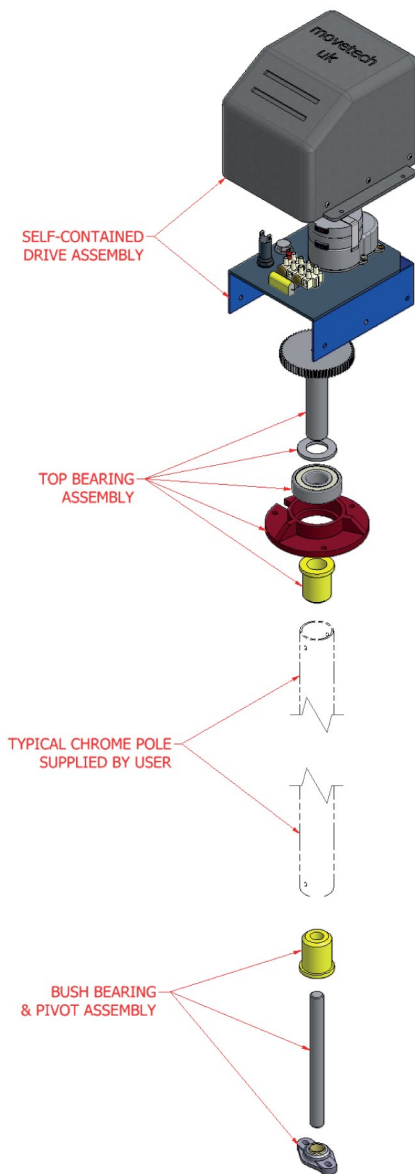
A rotating display incorporating smooth, controlled movement by Movetech UK is an ideal way to catch the eye and draw the attention of passers-by. Movetech UK powered rotation is an ideal display enhancement tool, and displays fitted with cabinet turntable units are popular the world over with shop fitters, designers, department stores, independents and a range of jewellery and fine porcelain retailers.



CTK - Cabinet Turntable Kit - Top Mounted

The top mounted cabinet turntable kit comes complete with drive assembly, upper bearing and lower pivot. Installation is straightforward, and the unit provides quiet and reliable operation. For self-installation by the cabinet manufacturer, the design of the drive allows for easy removal without disturbing the display. Glass shelves, mounting collars and poles can also be supplied.

D-011-CTK - Exploded View of Components

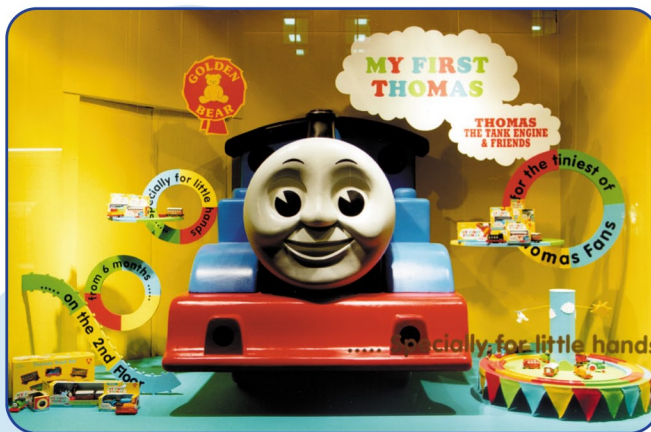
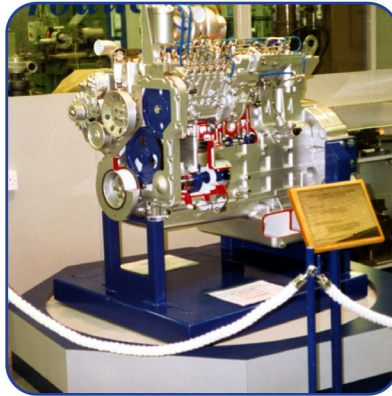


CTK - Cabinet Turntable Kit Specifications

| Product Code | Product Description | Speed (RPM) | Power mode | Max. recommended load |
|--------------|-----------------------------|-------------|-------------------|-----------------------|
| D-011-CTK | CTK - Cabinet Turntable Kit | 1 | 240v single phase | 90kg |

Can't find what you are looking for?

Movetech UK's range extends to smaller battery and solar powered movement as well as much larger units. The product portfolio includes off-the-shelf revolving stages from 1m up to 33m in diameter, and Movetech UK also offers a bespoke design and build service to cater for all customers needs.



In addition, an economical rental service is available. To discuss your requirements or for further information please contact Movetech UK - 01204 525626 - info@movetechuk.com - www.movetechuk.com